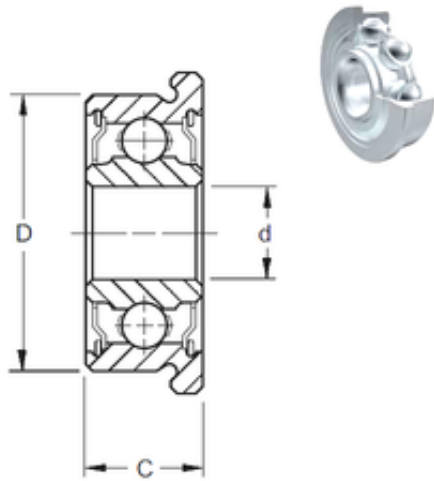




PRECISION AXLE CORP. OF AMERICAN



9 mm x 26 mm x 8 mm ZEN SF629-2Z deep groove ball bearings

Bearing No. SF629-2Z

Size	9x26x8 mm
Bore Diameter	9 mm
Outer Diameter	26 mm
Width	8 mm
d	9 mm
D	26 mm
B	8 mm
C	8 mm
Basic dynamic load rating (C)	4,575 kN
Basic static load rating (C0)	1,983 kN

SF629-2Z Bearing 2D drawings and 3D CAD models