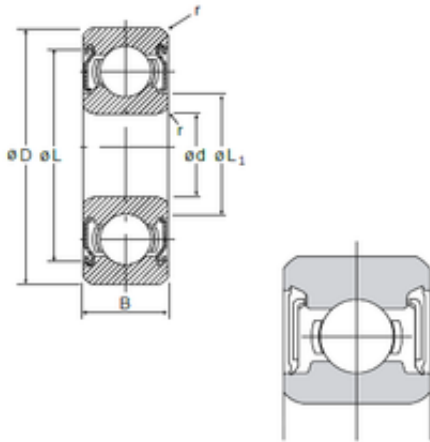




PRECISION AXLE CORP.OF AMERICAN



9 mm x 26 mm x 8 mm NMB 629DD deep groove ball bearings

Bearing No. 629DD

Size	9x26x8 mm
Bore Diameter	9 mm
Outer Diameter	26 mm
Width	8 mm
d	9 mm
D	26 mm
B	8 mm
C	8 mm
r min.	0,3 mm
L	22,8 mm
L1	12,88 mm
Basic dynamic load rating (C)	4,578 kN

629DD Bearing 2D drawings and 3D CAD models