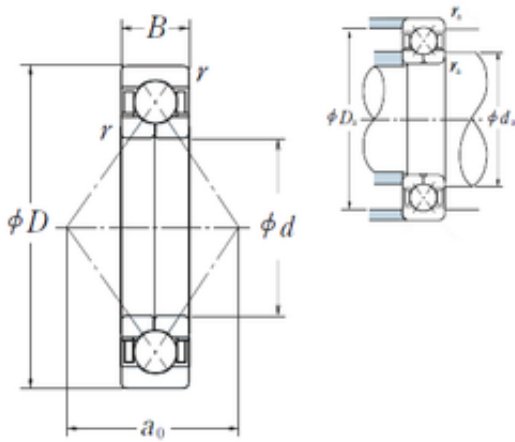




PRECISION AXLE CORP.OF AMERICAN



180 mm x 380 mm x 75 mm NSK QJ 336
angular contact ball bearings

Bearing No. QJ 336

Size	180x380x75 mm
Bore Diameter	180 mm
Outer Diameter	380 mm
Width	75 mm
d	180 mm
D	380 mm
B	75 mm
C	75 mm
Angle ()	35 °
a	196,1 mm
r min.	4 mm
da min.	198 mm
da max	362 mm
ra max.	3 mm
Weight	48 Kg
Basic dynamic load rating (C)	595 kN
Basic static load rating (C0)	1770 kN
(Grease) Lubrication Speed	1 300 r/min

QJ 336 Bearing 2D drawings and 3D CAD models