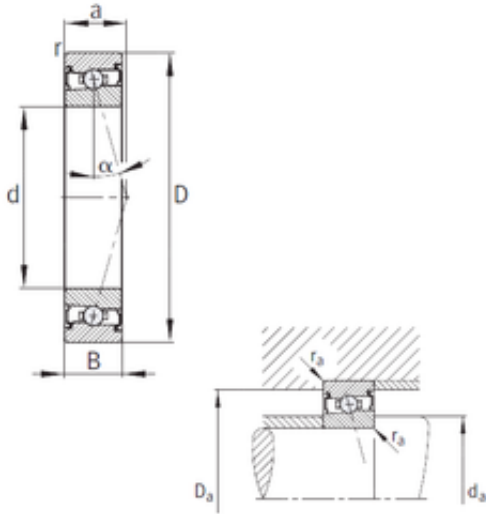




PRECISION AXLE CORP.OF AMERICAN



12 mm x 28 mm x 8 mm FAG HCS7001-C-T-P4S angular contact ball bearings

Bearing No. HCS7001-C-T-P4S

Size	12x28x8 mm
Bore Diameter	12 mm
Outer Diameter	28 mm
Width	8 mm
d	12 mm
D	28 mm
B	8 mm
C	8 mm
Angle (°)	15 °
a	7 mm
r min.	0,3 mm
Da	24,5 mm
ra max.	0,3 mm
da	16,5 mm
Weight	0,022 Kg
Basic dynamic load rating (C)	1,87 kN
Basic static load rating (C0)	1,13 kN
(Grease) Lubrication Speed	80 000 r/min

HCS7001-C-T-P4S Bearing 2D drawings and 3D CAD models